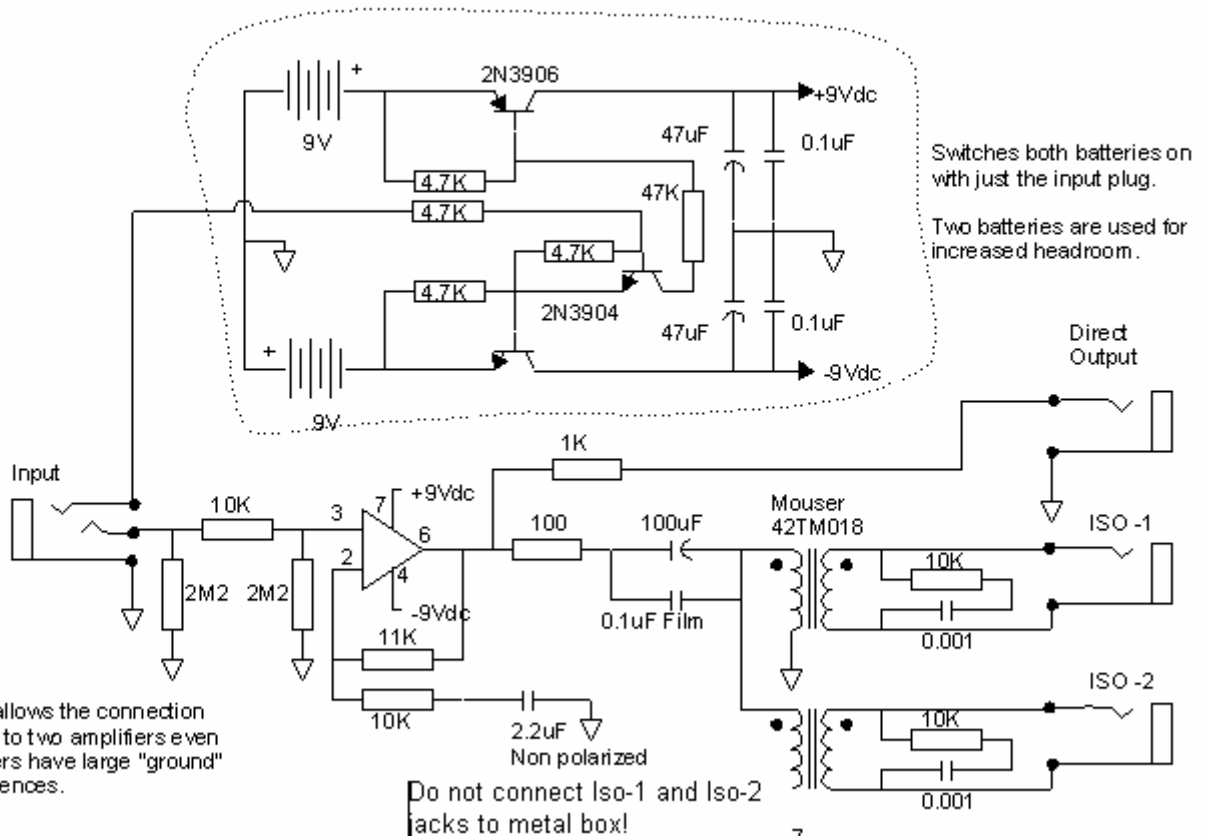


Transformer Coupled Splitter

Transformer Coupled Splitter



This splitter allows the connection of one signal to two amplifiers even if the amplifiers have large "ground" voltage differences.

Copyright 1999 R.G. Keen All rights reserved. Fair use only if this notice is reproduced. See <http://www.eden.com/~keen/>.

A transformer isolated signal splitter that enables hum-free connection of one guitar to more than one amp as well as having a direct output. The circuit is buffered to avoid signal loss.